

# I-9333 Intrinsically Safe Interface



## Description

I-9333 Interface can connect with intrinsically safe sounder in explosion-proof system. Receiving the start command from fire alarm control panel, the interface will activate explosion-proof devices in field.

Built-in safety barrier, it is a relative device to restrict the energy to the explosive area.

## Features and Benefits

- Power supply monitored
- Output cable monitored
- Metal cabinet, high water-proof and anti-interference abilities

## Terminals

In "Intrinsically Safe Area", there are two terminals 3(+) and 4(-) of safety barrier, anode of intrinsically safe device connects with 3(+), and its cathode with 4(-).

In "Non-intrinsically safe" side there are six terminals. Z1, Z2 connects with loop, non-polarized. D1, D2

connects with 24VDC, non-polarized. S, G connects with remote control input.

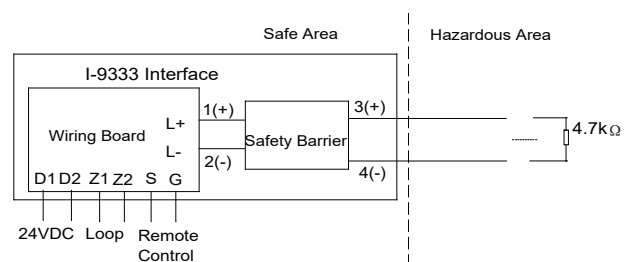
In addition, enclosure of the interface must connect to Ground through the brass bolts.

## Recommended Cabling

1.0mm<sup>2</sup> or above fire cable is recommended, laid through metal or flame-retardant conduit, but subject to local codes.

The capacitance distributed among cables should not be over 0.083μF, and the inductance distributed should not be over 4mH.

## Typical Connection

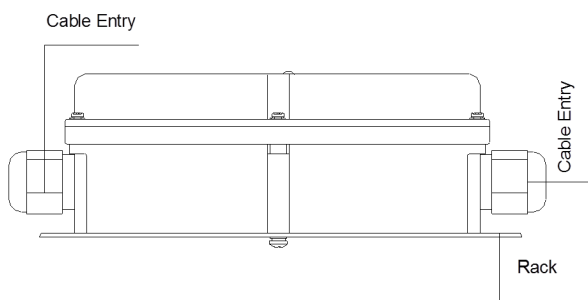
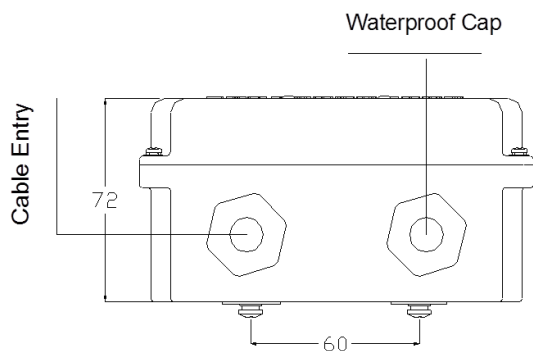
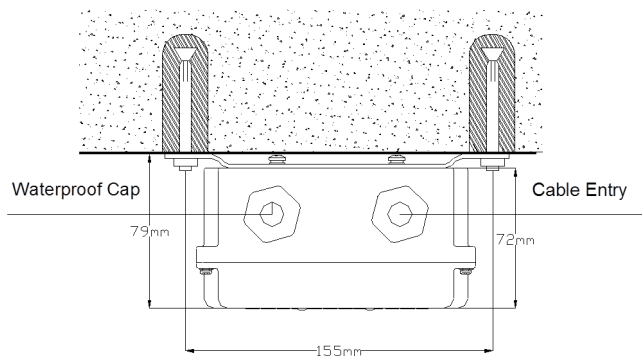


## Installation and Application

The interface can be mounted on the wall with a mounting bracket, or directly mounted into rack with screws from back.

### Warning:

This interface should be mounted in safety area. The wire from "Non-intrinsically safety" and those from "Intrinsically safety" should be separated from each other and be kept a certain distance (at least 50mm). Strictly follow the relative explosion-proof code when installing.



## Technical Specification

Operating Voltage	Loop voltage: 24V Power voltage: 24VDC
Loop Current	Standby current≤0.5mA Alarm current≤5mA
Power Current	Alarm current≤5mA
Output Capacity	60mA, to one explosion-proof sounder
Address Range	Electronically addressed, 1 ~ 242
Ingress Protection Rating	IP65
LED	Alarm: Red Fault: Yellow
Internal safety barrier	U0=28V, I0=93mA, L0=4mH, C0=0.083 μ F
Environmental Temperature	-10°C ~ +50°C
Relative Humidity	≤95%, non condensing
Dimensions	201 mm×172 mm×79 mm
Material and Color of Enclosure	Cast aluminum alloy, silver grey
Weight	1kg
Mounting Hole Spacing	155mm or 60mm

## Order Information

Part No.	I-9333
Device Name	Intrinsically Safe Interface
Product No.	10101573
Compatible Products	DC-9403(IS) Intrinsically Safe Sounder Strobe DC-9404(IS) Intrinsically Safe Sounder

## Accessories and Tools



Part No.: P-9910B  
Device name: Handheld Programmer  
Product No.: 10104894